



IP22 Class II (VI)

Product Features

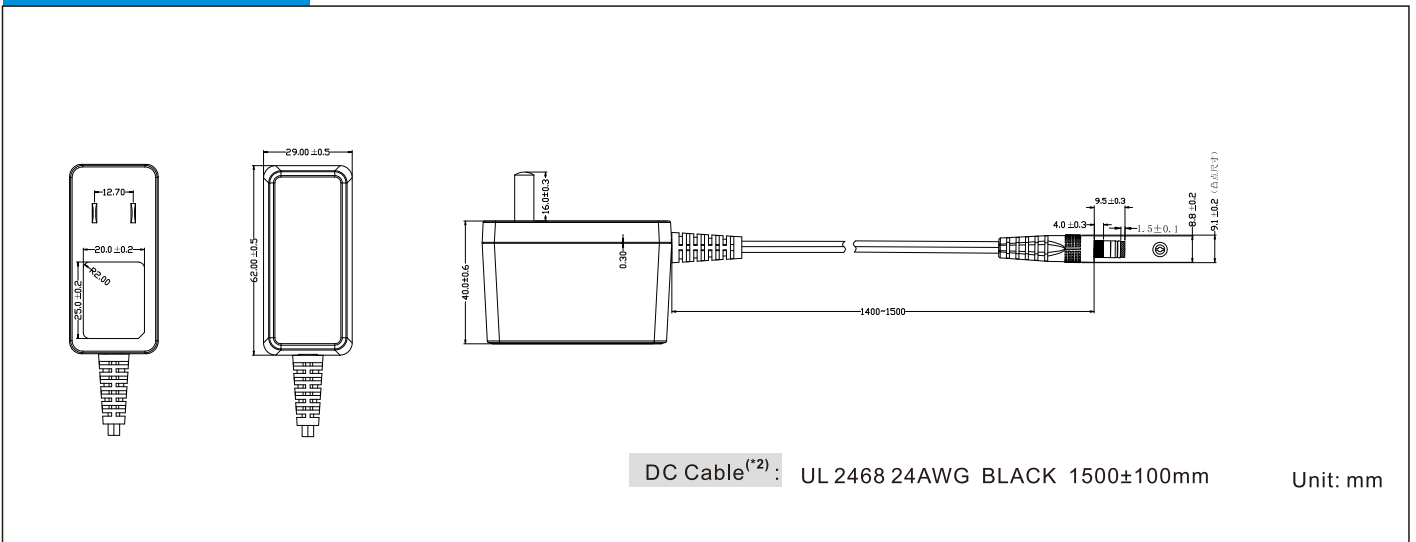
- Meets medical & I.T.E. safety
- 2 MOPP input to output isolation
- Touch current $\leq 10\mu\text{A}$
- Energy efficiency level VI
- $\leq 0.075\text{W}$ standby power
- 5V-6V outputs, up to 6W
- Up to 5,000m operating altitude



Models & Parameters

Model Number	Voltage ^(*1)	Current	Rated Power	Ripple & Noise (max)	Voltage Tolerance	Line & Load Regulation	Efficiency (Average)	Start Up Delay
DPS06LZ-XXXXYYSPA	5.0	0.01-1.00	5.00W	150mVpk-pk	$\pm 5\%$	Line: $\pm 1\%$	73.03%	$\leq 3\text{s}$
	6.0	0.01-1.00	6.00W	150mVpk-pk	$\pm 5\%$	Load: $\pm 5\%$	79.03%	$\leq 3\text{s}$

Mechanical Details



Notes
(*1, 2) Other options are available, please contact our sales representative for details.

Input

Input Voltage Range	80-264VAC
Frequency Range	47-63Hz
Input Current	0.2A at 80VAC
Touch Leakage Current (max)	≤ 10µA at 264VAC

Environmental

Operating Temperature	0°C to 45°C
Storage Temperature	-20°C to 60°C
Operating Humidity	10% to 90% RH, non-condensing
Storage Humidity	5% to 90% RH
Operating Altitude	5,000m

General

Dimensions	62.0(L) 29.0(W) 40.0(H)mm
Weight	67g
MTBF	>100,000hrs MIL-HKBK-217 at 25°C

Protection

Overload	110-200% rated output power, auto recovery
Over Voltage	110-150% rated output voltage input to reset
Short Circuit	Trip and restart (hiccup mode)

Safety Approvals

Safety Agency / Mark	Medical	ITE
CCC	-	GB4943.1

EMC

Emission	Medical	ITE
Conduction	IEC/EN60601-1-2, CISPR 11	EN55032, CISPR 32
Radiation	IEC/EN60601-1-2, CISPR 11	EN55032, CISPR 32
Harmonic Currents	EN61000-3-2, Class A	EN61000-3-2, Class A
Voltage Flicker	EN61000-3-3	EN61000-3-3
Immunity	Medical	ITE
ESD	IEC61000-4-2	EN55035, CISPR 35
Radiated Immunity	IEC61000-4-3	
EFT/Burst	IEC61000-4-4	
Surge	IEC61000-4-5	
Conducted Immunity	IEC61000-4-6	
Magnetic Field	IEC61000-4-8	
Dips & Interruptions	IEC61000-4-11	

Others

Dielectric Withstand Voltage	5,656VDC input to output
Insulation Resistance	10M Ohms, 500VDC input to output